



MICRO-MILL® II GRINDER

Catalog No. F37250-0010

The Scienceware® MICRO-MILL® II Grinder has a shell molded of rugged and easy to clean polycarbonate. The MICRO-MILL® II Grinder has two primary parts, a base (containing drive motor and controls) and a removable grinding chamber that threads onto the base.

The removable grinding chamber is composed of two sections; both are lined with stainless steel. A stainless steel grinding blade is mounted in the lower section of the grinding chamber.

To use:

- Remove the grinding chamber by unscrewing it from the base.
- Invert the grinding chamber to view the lower section within the upper section.
- Separate the upper and lower sections of the grinding chamber by unscrewing the lower section from the upper section.
- Place the sample to be ground (20 to 50 cc) into the lower section with grinding blade. Lesser or greater amounts may not be adequately milled.

Note: Samples must be dry to be milled. Moist or oily substances will build up on the blade. Freeze moist or oily samples and keep the grinding chamber cool by adding small pieces of dry ice into the grinding chamber with the sample.

- Holding the lower section upright, thread it tightly, by hand (*do not use the wrench*) to the upper section to form the complete grinding chamber. Failure to tightly screw the upper and lower section together may allow the ground sample to leak out.
- Screw the grinding chamber onto the base. The sample is now ready to be ground.

Note: the base has a built in safety switch that prevents operation of the motor if the grinding chamber is not fully screwed down.

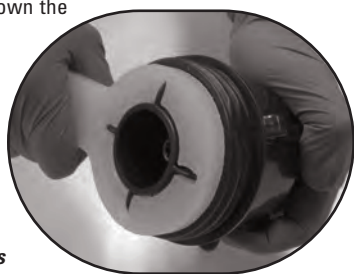
- Plug the three-prong plug into an electrical outlet. Light under the operating switch will glow when the unit is ready for safe operation.
- The operating switch has two operating modes.
- For continuous operation, press the end of the switch with the larger circular light, the grinder will continue to operate until the opposite end of the switch is depressed.

Do not operate the MICRO-MILL® II GRINDER continuously for more than five (5) minutes

- For momentary operation, depress and hold down the end of the switch with the smaller light. Release the switch to stop the grinder.

Do not operate the MICRO-MILL® II GRINDER continuously for more than five (5) minutes

- To remove the ground sample, unscrew the grinding chamber from the base. **Use the wrench to loosen the grinding chamber if it is difficult to remove by hand.** Keep the grinding chamber upright. Unscrew the lower section, (which will contain the sample), and carefully remove it from the upper section. The sample can be poured into another vessel.



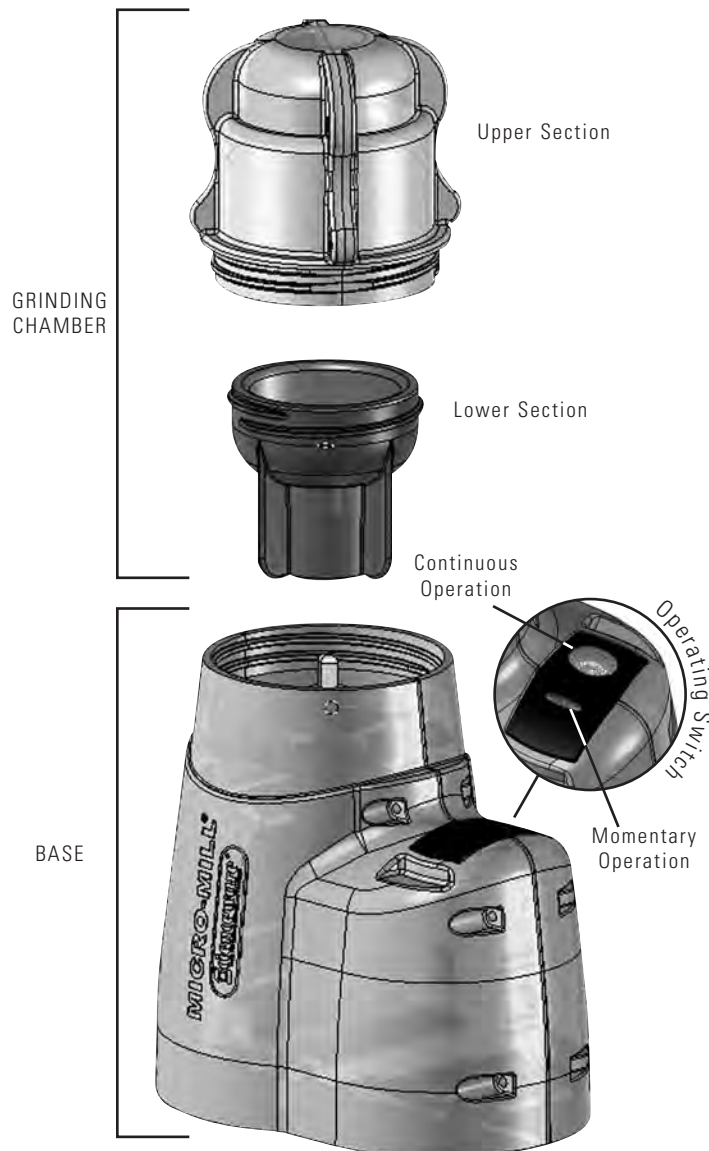
Grinding samples with higher hardness numbers:

- If a harder grinding blade is required for grinding samples up to hardness of

stellite 6, order MICRO-MILL® II GRINDER Hard Faced Blade, H37258-0000.

To Clean:

Use a dry cloth to wipe the outside of the MICRO-MILL® II GRINDER. A soft brush is recommended for cleaning the inside of the upper and lower sections of the grinding chamber.



BEL-ART PRODUCTS

661 Route 23 South, Wayne, NJ 07470-6814 USA

TEL: 1-800-4BEL-ART • FAX: 973-694-7199 • www.belart.com