

INSTRUCTIONS



Weight Kit Attachment

For use with 13450-0000 Tape Dispenser
Catalog No. 13451-0000

PURPOSE OF ATTACHMENT:

For use where additional weight is required to resist dispenser slippage when dispensing some tapes or label stocks. The dispenser with weight kit attached is easily portable.

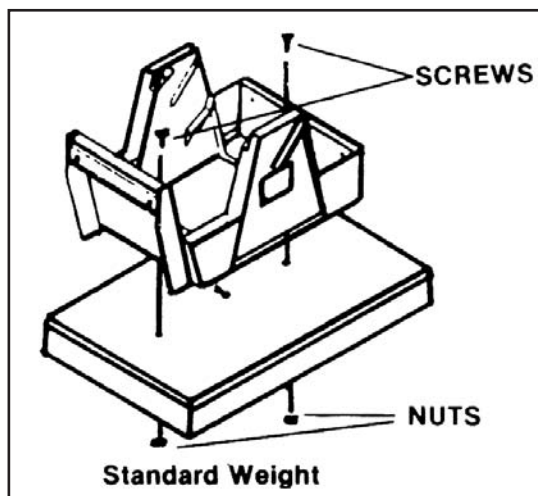
SPECIFICATIONS:

Dimensions:

Length: 8 1/2" (216mm)
Width: 5" (127mm)
Thickness: 1/2" (12.5mm)
Weight: 6lbs. (2.7Kg.)

ASSEMBLY INSTRUCTIONS:

1. Attach the dispenser to the weight kit with two screws provided.
2. Rubber feet on weight require a flat surface free of grease or oil.



OTHER FINE SCIENCEWARE® PRODUCTS FOR YOUR LABORATORY

Clear Protective Lab Labeling Tape

Go ahead, freeze it, autoclave it, even spill acids, alkalis, and organic solvents on it. This tape stays put! Its resistance to chemicals and moisture provide great versatility for heavy-duty lab use. Test results prove that it remains securely affixed with no discoloration after being autoclaved for 40 minutes at 125°C (258°F), as well as after one week in liquid nitrogen at -196°C (384°F). Clear polyester tapes are 1 mil (.001"), (.025 mm) thick with 1 mil of acrylic adhesive. Rolls are 32.9 meters (36 yards) long.



13453-0010	25mm (1") wide (2 rolls required for 1000 38 mm (1 1/2") long labels)
13453-0015	38mm (1 1/2") wide (3 rolls required for 1000 76mm (3") long labels)
13453-0020	51mm (2") wide (3 rolls required for 1000 76mm (3") long labels)

Multiple Roll Tape Dispenser



No more hunting for the right size tape with this super functional dispenser. Tape rolls of various widths and colors can be mounted on a single drum and reeled off individually as needed. The 89mm (3 1/2") wide plastic drum accepts tape rolls with a 76mm (3") ID core. Separators keep tape rolls apart. A 102 x 152mm (4" x 6") writing platform with a serrated cutting edge comfortably supports the tape and hand for pre-labeling. The base is weighted for stability and has four non-skid pads to prevent sliding. Made of epoxy-coated steel, it measures 26 x 15 x 11cm high (10 1/4" x 6" x 4 3/4"). Shipping weight 2.3 kg (5 lbs.). Tape not included. Ideal for use with Scienceware® 13463 Series Write-On™ Tapes.

13468-0000

Scienceware® is a reg.TM of Bel-Art Products.
Write-On™ is a trademark of Bel-Art Products.

Scienceware® is a reg.TM of Bel-Art Products.

Bel-Art Products

661 Route 23 South, Wayne, NJ 07470 USA
Tel: 1-800-4BELART • Fax: 973-694-7199 • www.belart.com

91345-1001 06/06
Bel-Art Products assumes no obligation or liability for any advice furnished by it, or for results obtained with respect to these products. All such advice is given and accepted at the buyer's risk.



Bel-Art Products

661 Route 23 South, Wayne, NJ 07470 USA
Tel: 1-800-4BELART • Fax: 973-694-7199 • www.belart.com