

# I N S T R U C T I O N S



Ergopet™ I BELLOWS PIPETTOR	F37907-0011
Ergopet™ II BELLOWS PIPETTOR	F37907-0012
Ergopet™ III BELLOWS PIPETTOR	F37907-0013

<b>HEIGHT</b>
31.6 cm (127/16")
41.7 cm (167/16")
51.9 cm (207/16")

## PRINCIPLE OF OPERATION

The Ergopet™ bellows pipettor is powered by a low-density polyethylene bellows which, when compressed, creates a vacuum source that can aspirate approximately 100 ml of pipetting volume. Three separate fingertip controls provide the desired pipetting functions; aspirate, discharge, and blow out of the last drops within the pipette.

## ERGONOMIC RANGE OF ADJUSTMENT

The head of pipettor can be positioned straight ahead in line with the hand or swung up to 90° left or right. This allows unobstructed viewing of the pipette while aspirating and dispensing, all while maintaining a more natural hand position. The nosepiece of the pipettor can also be rotated to change the angle of the pipette from vertical to 15° outwards.

## PIPETTE SIZE RANGE

Glass or plastic pipettes up to 20 ml are recommended. Larger pipettes may be used but filling and discharge will be slower. Glass or plastic pipettes with an outside mouth diameter of 3.0 to 9.9 mm will fit into the pipette holder.

## HOUSING

The Ergopet™ housing is made of ABS plastic. The housing may be cleaned with a mild detergent such as Bel-Art's Aquet® (Catalog #17094-0030). Be sure to wipe off the detergent with a moist towel. Do not immerse the entire unit in any fluid.

## FILTER

Each Ergopet™ contains a 25 mm, 0.2 micron PTFE hydrophobic filter that will not allow water to pass through it. This protects the inside of the unit from contamination if it is accidentally overfilled. If the filter becomes wet from overfilling a pipette, it must be replaced (Catalog # H37908-0250).

## OPERATION

1. While holding the Ergopet™ by the head, insert pipette firmly into the pipette holder.
2. Compress the black bellows to create a vacuum force (do not detach the bellows from the Ergopet™ to compress).
3. Depress top blue button to aspirate liquid up into pipette.
4. Depress middle blue button to dispense liquid out of the pipette.
5. To blow out the remaining few drops in the tip of the pipette, depress the translucent bellows button.

## TIP

For continuous operation without having to recharge the bellows, the Ergopet™ Bellows Pipettor can be connected to a vacuum line. Remove the black bellows by firmly pulling it straight off, do not unscrew. Attach a vacuum hose to the male connector. Do not exceed vacuum of 250mm of mercury.

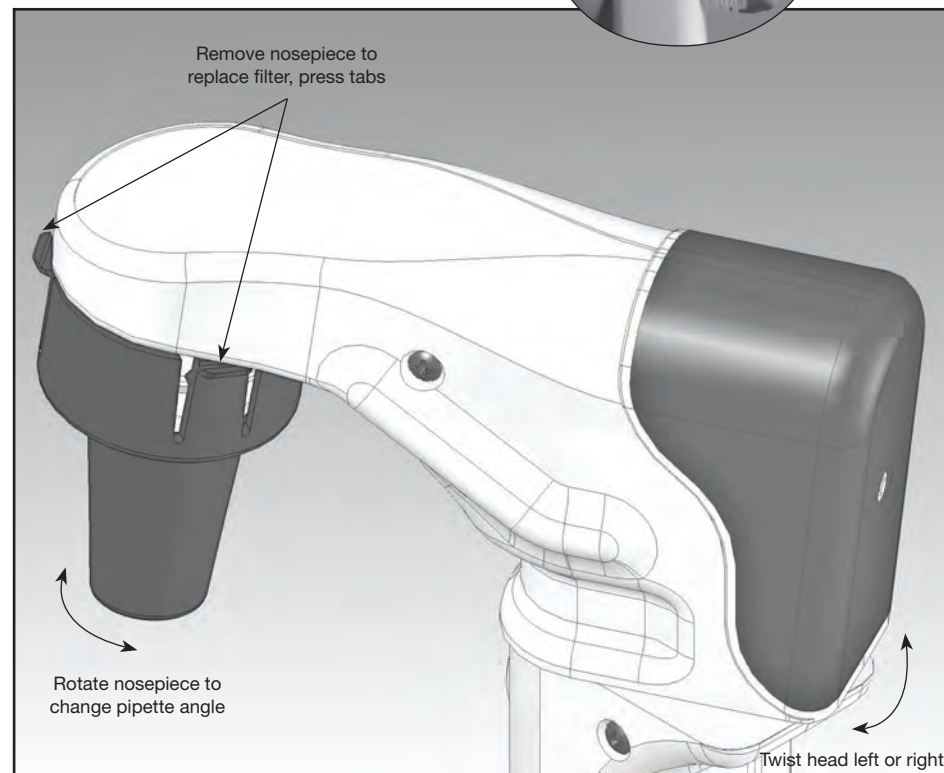
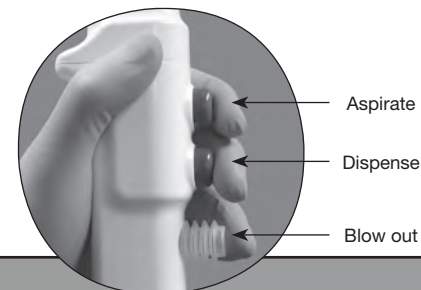
## REPLACING THE FILTER

Replace the filter every two to four weeks depending on usage. The filter must be replaced when it gets wet, (Catalog #H37908-0250). If suction is noticeably decreased, the filter may be clogged and should be replaced.

The filter is located within the blue swiveling nosepiece. Remove the blue nosepiece by gently pushing down and outwards on the three tabs to release the nosepiece from the pipettor head. Gently pull on the silicone pipette holder to remove it and the replaceable filter from the pipettor. Replace the filter by pressing the shorter luer end of the filter into the silicone pipette holder. Reassemble the filter and pipette holder to the pipettor and reinstall the nosepiece.

## SAFETY

Observe laboratory safety precautions when pipetting hazardous material.



661 Route 23 South, Wayne, NJ 07470

TEL: 1-800-423-5278 • FAX: 973-694-7199 • www.belart.com

Bel-Art – SP Scienceware assumes no obligation or liability for any advice furnished by it, or for results obtained with respect to these products.

All such advice is given and accepted at the buyer's risk.

© 2015. All Rights Reserved.

Bel-Art® – SP Scienceware® is a division of SP Industries, Inc.



937908193 – 05/15

