

I N S T R U C T I O N S



Ergopet™ I AIR POWERED PIPETTOR
Ergopet™ II AIR POWERED PIPETTOR
Ergopet™ III AIR POWERED PIPETTOR

F37907-1011
F37907-1012
F37907-1013

HEIGHT
22.2 CM (8³/₄"")
32.4 CM (12³/₄"")
42.5 CM (16³/₄"")

PRINCIPLE OF OPERATION

The Ergopet™ air powered pipettor is powered by a remote air pump that attaches to the pipettor body by two flexible tubes. The pump provides both vacuum for aspiration and positive pressure for dispensing.

ERGONOMIC RANGE OF ADJUSTMENT

The head of pipettor can be positioned straight ahead in line with the hand or swung up to 90° left or right. This allows unobstructed viewing of the pipette while aspirating and dispensing, all while maintaining a more natural hand position. The nosepiece of the pipettor can also be rotated to change the angle of the pipette from vertical to 15° outwards.

PIPETTE SIZE RANGE

Glass or plastic pipettes from 1.0 to 100.0ml with an outside mouth diameter of 3.0 to 9.9 mm will fit into the pipette holder.

HOUSING

The Ergopet™ housing is made of ABS plastic. The housing may be cleaned with a mild detergent such as Bel-Art's Aquet® (Catalog #17094-0030). Be sure to wipe off the detergent with a moist towel. Do not immerse the entire unit in any fluid.

FILTER

Each Ergopet™ contains a 25 mm, 0.2 micron PTFE hydrophobic filter that will not allow water to pass through it. This protects the inside of the unit from contamination if it is accidentally overfilled. If the filter becomes wet from overfilling a pipette, it must be replaced (Catalog # H37908-0250).

OPERATION

1. While holding the Ergopet™ by the head, insert pipette firmly into the silicone pipette holder.
2. To power unit, press rocker switch on power cord to the "ON" position.
3. Depress top blue button to aspirate liquid up into pipette.
4. Depress middle blue button to dispense liquid out of the pipette.

TIP

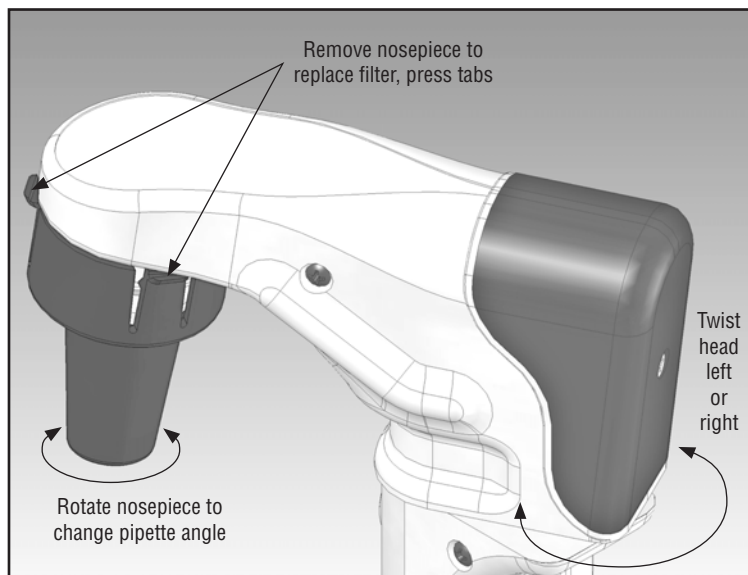
For anaerobic use, ensure that the remote pump is placed within the anaerobic environment.

REPLACING THE FILTER

Replace the filter every two to four weeks depending on usage. The filter must be replaced when it gets wet, (Catalog #H37908-0250). If suction is noticeably decreased, the filter may be clogged and should be replaced. The filter is located within the blue swiveling nosepiece. Remove the blue nosepiece by gently pushing down and outwards on the three tabs to release the nosepiece from the pipettor head. Gently pull on the silicone pipette holder to remove it and the replaceable filter from the pipettor. Replace the filter by pressing the shorter luer end of the filter into the silicone pipette holder. Reassemble the filter and pipette holder to the pipettor and reinstall the nosepiece.

SAFETY

Observe laboratory safety precautions when pipetting hazardous material.



661 Route 23 South, Wayne, NJ 07470

TEL: 973-694-0500 • FAX: 973-694-7199 • www.belart.com

Bel-Art – SP Scienceware assumes no obligation or liability for any advice furnished by it, or for results obtained with respect to these products.
All such advice is given and accepted at the buyer's risk.
© 2016. All Rights Reserved.
Bel-Art® – SP Scienceware® is a division of SP Industries, Inc.



937908692 – 07/16

