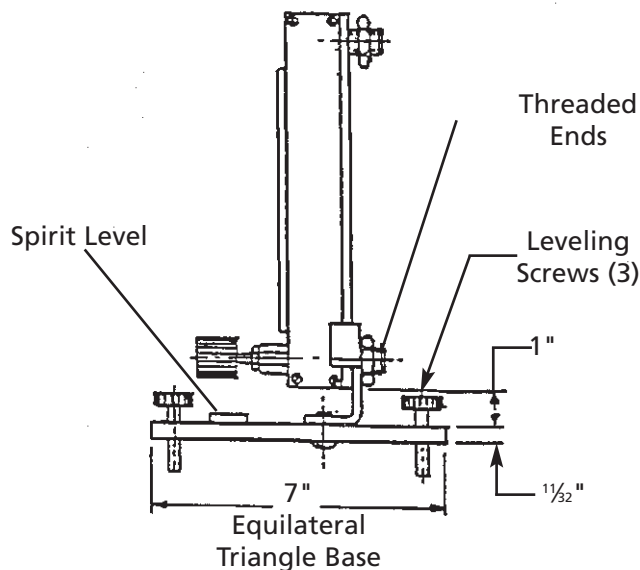


INSTRUCTIONS



For Mounting Flowmeter onto Bench Mount

Catalog No. 94040-9000



1. Remove the hex nut from the threaded inlet located at the rear of the Flowmeter.
2. Place the mounting bracket, which is supplied with the mounting kit, over the threaded end.
3. Replace the hex nut.
4. Remove the screw from the bottom of the bracket, line up the hole in the bracket with the hole in the plastic triangle, and screw into place.



BEL-ART PRODUCTS

661 Route 23 South, Wayne, NJ 07470-6814 USA

TEL: 1-800-4BEL-ART • FAX: 973-694-7199 • www.belart.com

940401042

01/03

Scienceware®, is a reg. TM of Bel-Art Products
Bel-Art Products assumes no obligation or liability for any advice furnished by it, or for results obtained with respect to these products. All such advice is given and accepted at the buyer's risk.

**OTHER FINE SCIENCEWARE® PRODUCTS
FOR YOUR LABORATORY**

ROTO-FLO™ FLOW INDICATORS



Roto-flo™ Flow Indicators provide a simple method for visualizing flow in a tubing line. Brightly colored flow paddle wheels are enclosed within clear polystyrene molded housings. When gas or liquid flows through the system, the paddle wheel spins and projects a solid disk of color. The paddle wheel shell is 1" (25mm) diameter x 7/16" (11mm) thick. Overall length is 2" (51mm).

Cat. No.	Fits Tubing I.D.	Tube Ends	Wheel Color
19937-0001	3/16" to 1/4"	Straight	Blue
19937-0002	3/16" to 1/4"	Barbed	Red
19937-0003	1/4" to 7/16"	Barbed	Green



BEL-ART PRODUCTS

661 Route 23 South, Wayne, NJ 07470-6814 USA

TEL: 1-800-4BEL-ART • FAX: 973-694-7199 • www.belart.com