

# I N S T R U C T I O N S



## Write-On™ Multiple Roll Tape Dispensers Catalog No. F13472-0000 & F13473-0000

These dispensers are designed to hold a mixture of labeling tapes with both 3" and 1" core diameters. Different sizes of tape are accommodated by using an assembly of rods and two end caps which fit together to hold rolls of labeling tape.

Before assembling and loading the dispenser, take a moment to note that the end caps on the roll holder are marked with "LEFT" and "RIGHT". Facing the cutting edge of the dispenser, the holder marked with "RIGHT" should be positioned to the right. Note also that each end cap has an arrow and both must point up when assembled.

### Assembling and Loading the Tape Dispenser:

1. To assemble and load tape rolls, first place one of the two end caps on a flat surface. If loading labeling tape with 3" core diameter, insert 3 rods in the outer three wells. If loading labeling tape with 1" core diameter, insert 3 rods in the inner three wells. If loading a mixture of labeling tape with 1" and 3" cores diameters, insert 6 rods in the six wells.
2. Slide the rolls of labeling tape over the appropriate three rods.
3. Place a separating disc between each of the tape rolls.
4. The tape must feed off the top of the roll and towards the writing table so that the adhesive side contacts the writing table and the labeling surface is up.
5. After loading all rolls of tape and separator discs, align the second end cap, matching arrow direction with the first, onto the ends of the rods and press together to finish loading the tape roll holder.

The assembled and loaded roll holder can now be gently placed into the spring clips on either side of the dispenser body. Be sure to load into dispenser so that the LEFT end cap is on the left side of dispenser. A square hole in both spring clips will capture the square peg on each end cap.

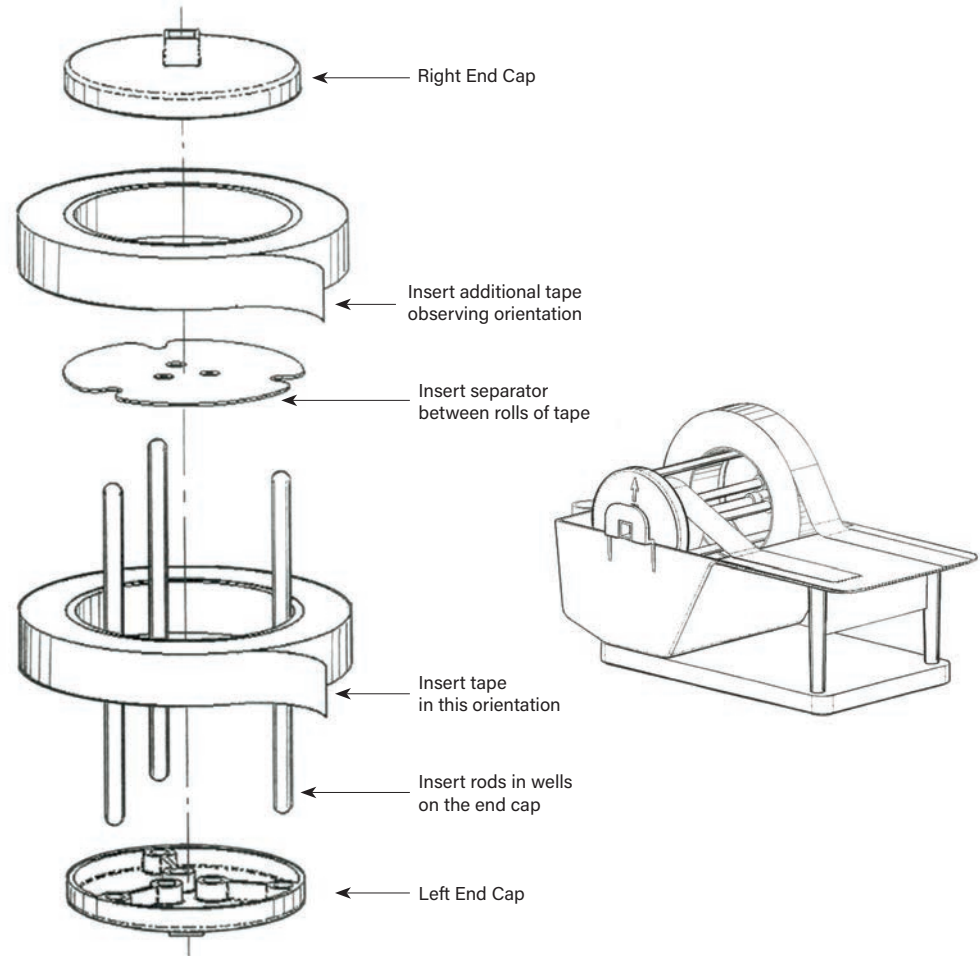
To make a label, reel off the desired tape and allow it to lightly attach to the writing table. Hand write the label and then pull the tape to the desired length and cut off on the serrated cutting edge. A fresh section of labeling tape will be advanced, ready to make the next label.

Let others know what you think. Write a product review at [www.belart.com](http://www.belart.com)

### Wall mounting model F13473-0000

To mount horizontally on a suitable vertical surface, remove the tape roll holder and position the dispenser body on the vertical surface. Using the existing holes in the body as a template, mark mounting holes on vertical surface for drilling. We recommend use of 1/4" diameter bolts or screws for mounting. Please consult with a supervisor to determine optimum location and appropriate mounting hardware.

To mount the tape dispenser vertically, we recommend use of the optional accessory wall mounting leg F13473-0001 for the tape dispenser. This leg holds the writing platform and dispenser at approximately 45° off the vertical surface for easier operating ergonomics for both left and right handed persons. With the wall mounting leg installed and the tape roll holder removed, position the dispenser body on the vertical surface with the cutting edge facing downwards. Using the existing holes in the body as a template, mark mounting holes on vertical surface for drilling. We recommend use of 1/4" diameter bolts or screws for mounting. Please consult with a supervisor to determine optimum location and appropriate mounting hardware.



661 Route 23 South, Wayne, NJ 07470



TEL: 973-694-0500 • FAX: 973-694-7199 • [www.belart.com](http://www.belart.com)

913472005 - 10/18

Bel-Art - SP Scienceware assumes no obligation or liability for any advice furnished by it, or for results obtained with respect to these products.

All such advice is given and accepted at the buyer's risk.

© 2018. All Rights Reserved.

Bel-Art® - SP Scienceware® is a division of SP Industries, Inc.

