

INSTRUCTIONS



No-Wire™ Round Rack

Autoclavable Polypropylene Test Tube Racks

Catalog Numbers: 18741-0020, 18743 series

Patent #5,076,445



No-Wire™ Autoclavable Test Tube Racks fit conveniently in round vessels such as ice buckets, ice buckets, incubators and beakers. An economical alternative to wire racks, they have distinct advantages over other plastic racks.

- Submersible
- Space Saving
- Easy Tube Identification
- Color Coded
- Stackable
- Autoclavable
- Economical

Large Diameter Rack (149 mm)

Color	holds tubes	places	height
WHITE	20mm O.D.	24	72mm

Small Diameter Racks with Handle (95 mm)

Color	holds tubes	places	height
RED	13mm O.D.	21	82mm
18743-1016	16mm O.D.	14	82mm
18743-1020	20mm O.D.	9	82mm



661 Route 23 South, Wayne, NJ 07470-6814 USA
 TEL: 1-800-4BEL-ART • FAX: 973 694-7199 • www.belart.com

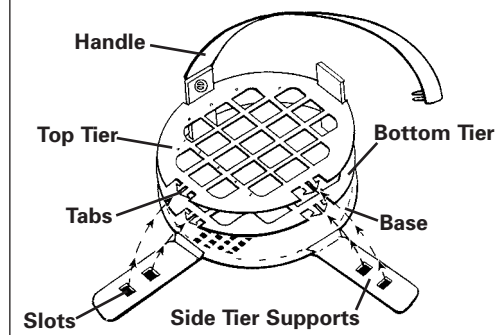
918741000

Part of SP Industries • No-Wire™ is a trademark of Bel-Art
 Bel-Art assumes no obligation or liability for any advice furnished by it, or for results obtained with respect to these products. All such advice is given and accepted at the buyer's risk.
 © 2015 Bel-Art-SP Scienceware. All Rights Reserved.

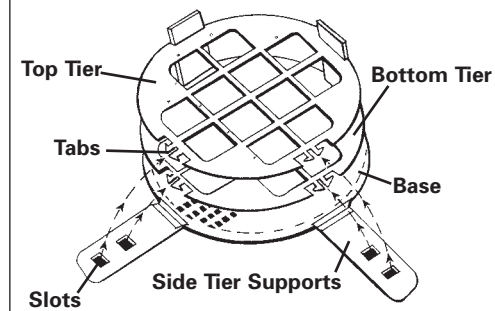
04/15

TO ASSEMBLE

Small Diameter Rack with Handle 18743 series



Large Diameter Rack 18741-0020



1. Place the base on a flat work surface with the word "BOTTOM" facing down.
2. Bend up one side tier support. Snap one bottom tier edge tab into the lower slot in the side tier support. Be sure the bottom tier imprinted numbers and letters face up.
3. Position the top tier so that imprinted numbers face up and align with the numbers on the bottom tier. Snap the top tier side tab into the upper slot in the side tier support.
4. Bend up the opposing side tier support and snap the bottom tier and then top tier side tabs into their matching slots in the side tier support.
5. Bend up the remaining side tier supports and snap the bottom tier and then top tier side tabs into their matching slots in the side tier supports.

6. (18743 series - small diameter rack) Snap the handle tabs into the top holes in two of the legs.

Submersible and works well in water baths

Autoclavable at 250° F (121°C)

Empty racks can be stacked.

Note: Do not use with liquid nitrogen.