

INSTRUCTIONS

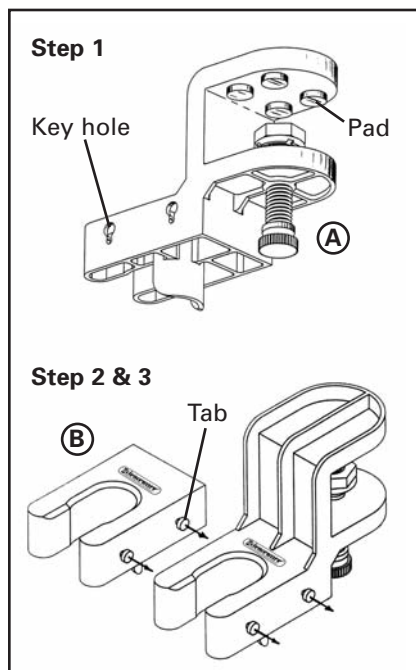


Pipettor Holder

Catalog No. 18954-0000 Triple (clamp and 2 extenders) A&B
18954-0001 Clamps (2 clamps only) A only
18954-0002 Extenders (4 extenders only) B only

The Scienceware® PiRack™ Pipettor Holder is designed to hold many major brands of pipettors, facilitating easy to reach shelf or bench top placement and creating flexibility in locating and storing your pipettors. The Scienceware® PiRack™ clamps and extenders can be assembled to hold virtually any number of pipettors. The only limitation is the space in your lab.

Note: It is recommended that for every clamp employed, a maximum of two extenders be used to obtain optimum load distribution.



ASSEMBLY:

1. Hold all components with the Scienceware® logo facing up.
2. Apply the four (4) non-skid adhesive backed pads evenly to the underside of the clamp's upper lip.
3. Align the round assembly tabs on the side of the extender with the corresponding key holes in the side of the clamp.
4. Insert the tabs into the holes. Hold upright. Position your thumbs on the extender and apply an even, downward force until the tabs lock into place. If necessary, adjust the extender until its top surface is even with the surface of the clamp.
5. To assemble the other extender to the clamp, repeat instructions 3 through 4.

Note: The tabs will now be on the side of the clamp and the holes will be in the side of the extender.

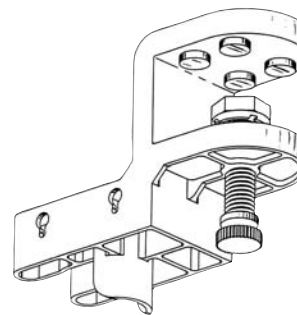
BEL-ART PRODUCTS

661 Route 23 South, Wayne, NJ 07470-6814 USA
 TEL: 1-800-4BEL-ART • FAX: 973-694-7199 • www.belart.com

918954003

3/12

Scienceware® and PiRack™ are trademarks of Bel-Art Products. Bel-Art Products assumes no obligation or liability for any advice furnished by it, or for results obtained with respect to these products. All such advice is given and accepted at the buyer's risk.



SHELF ATTACHMENT:

Note: The hex nut can be removed from the thumbscrew for wider shelves.

1. Position the shelf edge between the upper lip of the clamp and hex nut on end of locking thumbscrew.
2. Position clamp until the edge of the shelf is located squarely in the "U" shape of the clamp.

Note: A minimum shelf width of 2 3/16" is required.

3. Tighten thumbscrew until PiRack™ Pipettor Holder is securely fastened.

Note: The maximum shelf thickness is 1 1/2".

INSTRUCTIONS



Utility Tray

Catalog No. 18954-0500

The PiRack Utility Tray is designed as a small item organizer and is easily attached between two PiRack Clamps. As an added benefit, it is perfectly sized to hold one of the many Scienceware® Half Racks, which are available to hold vials, micro tubes, small bottles and cuvettes.



ASSEMBLY:

Two PiRack Clamps are required to securely mount the utility tray to a shelf.

1. Using the photograph as a guide to orient the tray and clamps, align the round assembly tabs on the side of the tray with the corresponding key holes in the side of the clamp.

2. Insert the tabs into the holes. Hold assembled tray and PiRack clamp upright. Position your thumbs on the tray and apply an even downward force until the tabs lock into place.
3. Repeat steps 1 and 2 to assemble the second clamp to other end of utility tray.

BEL-ART PRODUCTS

661 Route 23 South, Wayne, NJ 07470-6814 USA
 TEL: 1-800-4BEL-ART • FAX: 973-694-7199 • www.belart.com