



Height Adjustable Multi-size Tube Rack

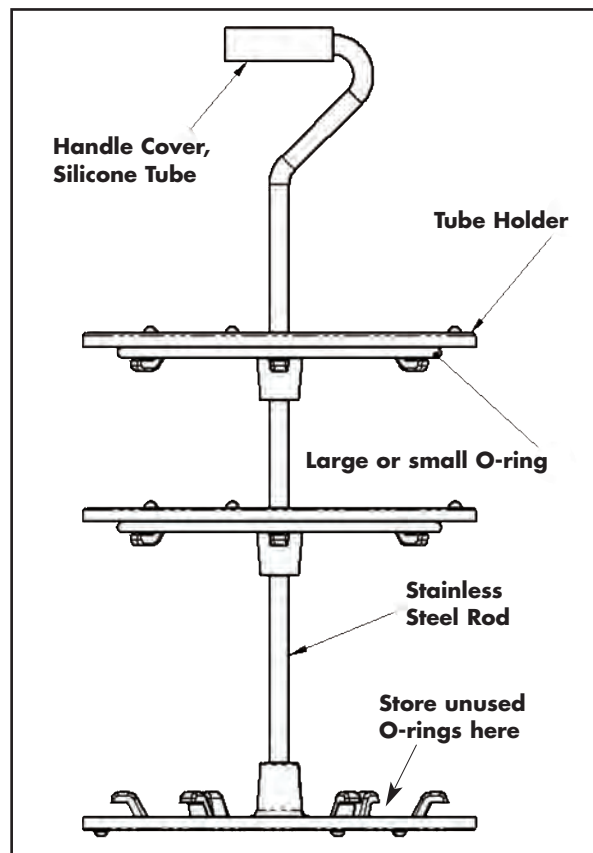
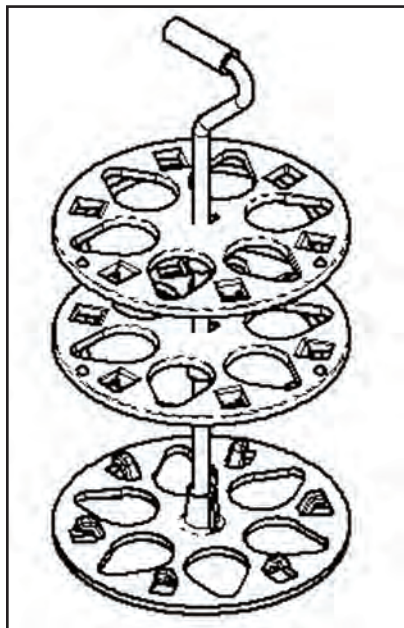
CATALOG NUMBER F18882-0000

PARTS LIST:

- 3 tube holding disks, Polypropylene
- 2 Elastic O-rings, large, Silicone Rubber
- 2 Elastic O-rings, small, Silicone Rubber
- 1 Stainless steel handle/support rod
- 1 Soft-grip handle cover, silicone rubber

ASSEMBLY:

1. Slide the soft-grip silicone tube over the bent end of the stainless steel handle. Moisten with water if tube will not slide.
2. Select two of the tube holding disks and place on a flat surface with the 6 hooks facing up. Select either the two large or two small O-rings (*note: use the smaller rings for small diameter tubes and the larger ring for larger diameter tubes.*) Stretch an O-ring around all of the hooks on the face of one disk. Repeat with the other disk and same size O-ring.
3. Place one of the assembled disks with O-ring on a flat surface with the hooks and O-ring facing down. Insert the straight end of the stainless steel rod into the center hole. Slide the disk upward to a convenient height. Repeat with the second disk. (*Note: If the insertion of the rod is difficult, warm the disk in hot water for a few minutes to expand the center hole*). Align the holes in the two disks.



4. Place the third disk on the bench with hooks facing upwards, this disk will serve as the base for the rack. Insert the end of the stainless steel rod into the center hole until it aligns with the underside disk surface. Use the upward facing hooks to store the unused O-rings.

USE:

Insert the tubes into the narrow end of the tear drop shaped hole so they are retained by the O-ring. Multiple sizes of tubes may be used in one rack. Adjust the position of the two disks to the desired height and length of tubes. The rack may now be placed in a water bath.

BEL-ART PRODUCTS

661 Route 23 South, Wayne, NJ 07470-6814 USA
 TEL: 1-800-4BEL-ART • FAX: 973-694-7199 • www.belart.com