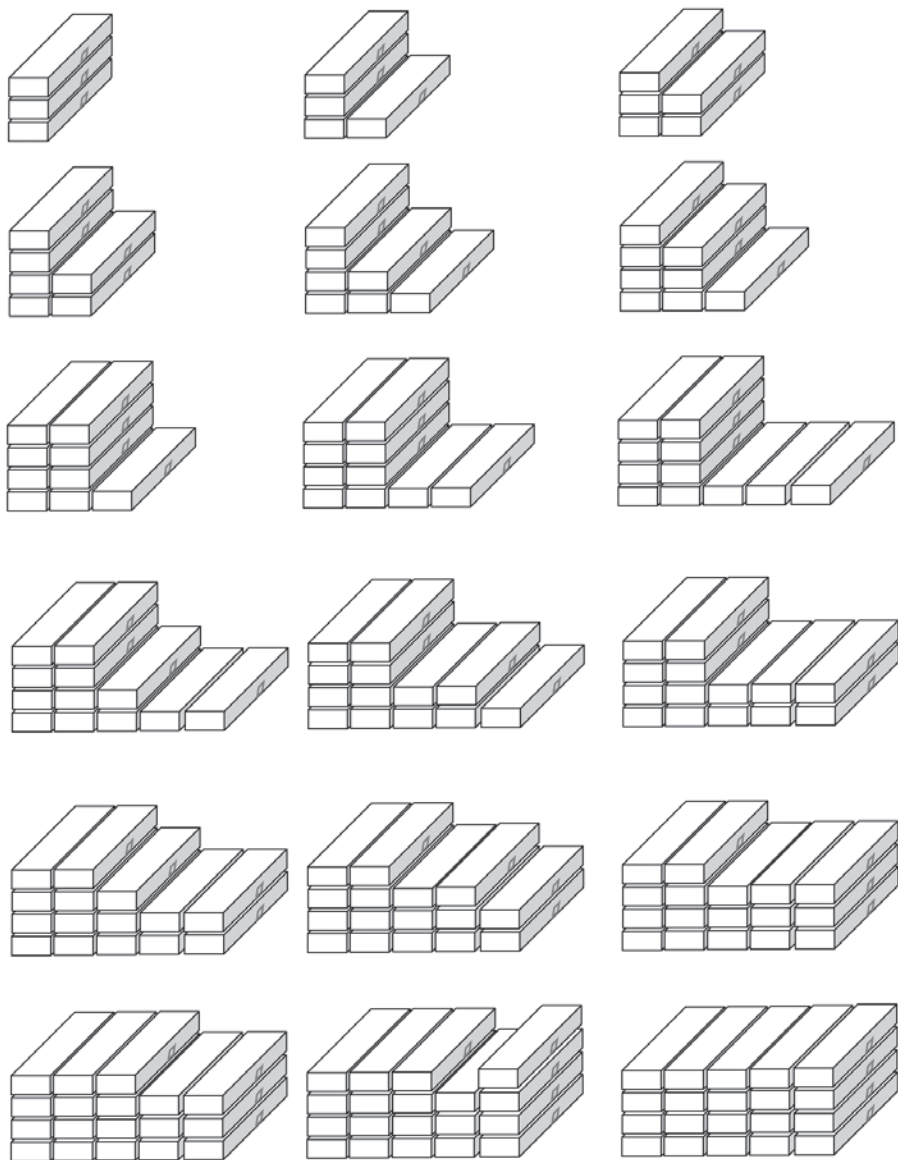


Order for Rack Addition for High Density Configuration
of the Scienceware Ultra Low Freezer Wire Racks



I N S T R U C T I O N S



Ultra Low Wire Freezer Rack
Catalog No.: H18992-0002 – White
H18992-0012 – Blue
H18992-0022 – Yellow
H18992-0032 – Green

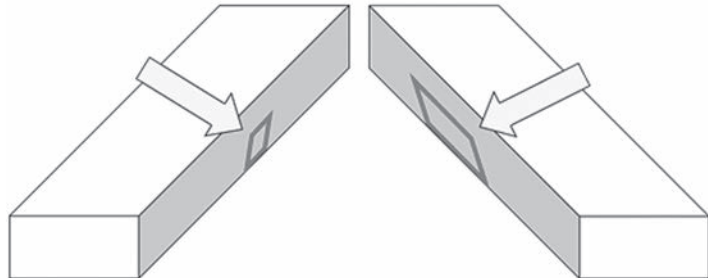
The Scienceware Ultra Low Freezer Wire Racks are the most configurable and versatile racking system available, yet maintain the stability and strength of the heavier and bulkier racks. The “nesting” feature of the Scienceware Ultra Low Freezer Wire Racks enable the racks to maintain their stability even up to 4 levels high. The Scienceware Ultra Low Freezer Wire Racks also offer a “side lock” feature which secures side-by-side stacks from creeping apart and away from each other. Finally the plastic “clip-on” may be used to lock the rear of the rack with the lip of the freezer’s adjustable steel shelf (found in most of the Ultra-low freezers available today). This clip will anchor your Scienceware Ultra Low Freezer Wire Racks from moving forward when pulling the tray out to access your samples.

To see a video of assembly instructions, visit www.belart.com/modrack

Assembling the Racks

The Scienceware Ultra Low Wire Freezer Racks are a modular system. A single rack can be used by itself or can be assembled into a multi-rack system. Additional racks may be stacked on top of each other or linked side by side. Please follow these simple directions to gain the most stability and versatility from your Scienceware Ultra Low Freezer Wire Racks.

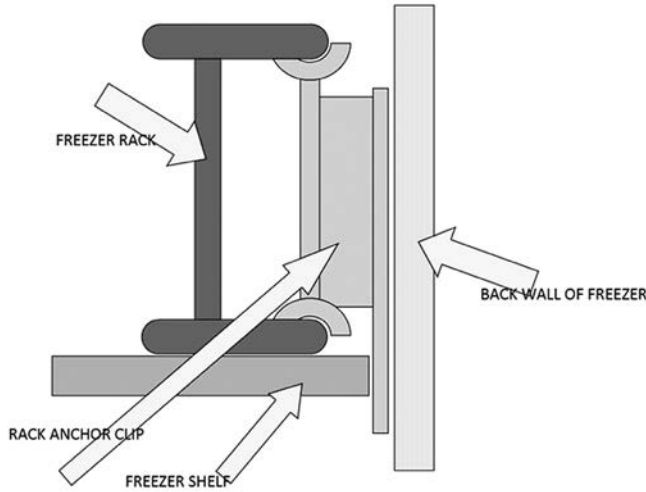
1. Familiarize yourself with your Scienceware Ultra Low Freezer Wire Racks by laying them out on a flat surface.
- Note that while they Scienceware Ultra Low Freezer Wire Racks appear to be symmetrical, the “side lock” is slightly larger on one side versus the other side.



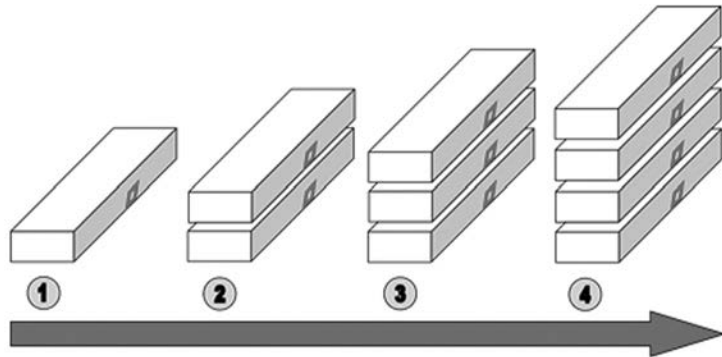
2. When building your rack system you should position the first rack with the smaller ‘side lock’ in the direction you intend to build. This way as you add racks you can easily lower the larger side lock onto the smaller side lock and the 2 units will simple lock into place.



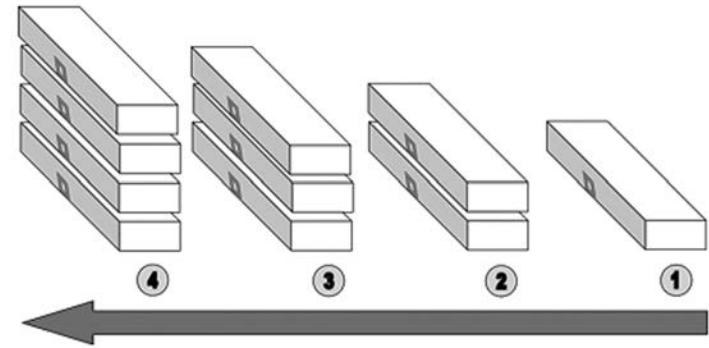
3. The plastic clip supplied with your Scienceware Ultra Low Freezer Wire Rack may be used to anchor the first bottom rack to the stainless steel shelf of the freezer. Simply twist the clip in between the horizontal wires at the rear of your rack. Make sure to direct the clip so the longer end in now facing DOWN. Slide this downward extension of the clip between the rear wall of the freezer and the rear of the freezer's stainless steel shelf. This clip will anchor the unit from moving forward when pulling out the sample tray. Clips are not necessary on any racks nested on top of the anchored rack, however they may be kept in place, clipped to the rear of the rack and will act as a 'stopper' for the sample tray.



4. Continue this positioning as you stack your racks higher. As a general rule if you are building your rack system in a Left-to-Right fashion, these simple positioning instructions will simplify building your rack system within your freezer.



5. If you are building your rack system in a Right-to-Left direction, simply start out with your Scienceware Ultra Low Freezer Wire Rack with the smaller 'side lock' facing out. Since the Front and Back of the Scienceware Ultra Low Freezer Wire Racks are the same, equal assembly ease is available to you regardless of the direction you decide to build your rack system from.



Drawers

- The drawer supplied with your Scienceware Ultra Low Freezer Wire Rack will hold five cryovial sample boxes (5.25" x 5.25" x 2").
- Please support the drawer with your hand if pulling the drawer out further than three box lengths.
- Always carry the full drawer with two hands to avoid possible cracking due to the weight and frozen state of the drawer.

Shelf Accessory

Use the optional Scienceware Ultra Low Freezer Rack Shelf (H18992-0000) to make a usable shelf on your uppermost rack. The Top can be used in either direction making a useful flat top or a tray. Using the Shelf on all your side-by-side Scienceware Ultra Low Freezer Wire Racks will create a vast amount of usable space in your Ultra Low Freezer! See the last page for some "Rack Configuration Ideas"!

Care and Cleaning

Clean any of your Scienceware Ultra Low Freezer Wire Rack parts with mild detergent and water. Do not autoclave the plastic molded tray or top of these units.

Different Configurations you can try with the versatility of the Scienceware Ultra Low Freezer Wire Rack!

